

LIFELINE OF YOUR VEHICLE....

**Locks**

**Wiring Harnesses**

**Control Cables**

**Instruments**

**Filters**

**CDI/RR/ Ignition Coils/ Ignitors/Relays/Flashers & Stator Coils**

**Starter Motors & Alternators**

**Clutch Plates**

**Brake Shoes**

**Bearings**

**Window Regulators**

**Sensors**

**Wiper Blades**

**SPARK MINDA**  
ASHOK MINDA GROUP  
*Powered by Passion*

Marketed by  
**MINDA AUTOMOTIVE SOLUTIONS LTD.**  
 D-6-11, SECTOR-59,  
 NOIDA (U.P.) - 201301, INDIA  
 Tel : +91-120-459 9300,  
 011-33145145 (All India Toll Free)  
 Email: queries@mindaasl.com  
 Website : www.mindaasl.com

**SPARK MINDA**

ASHOK MINDA GROUP

**Lifeline of your vehicle....**



**High Current Output**

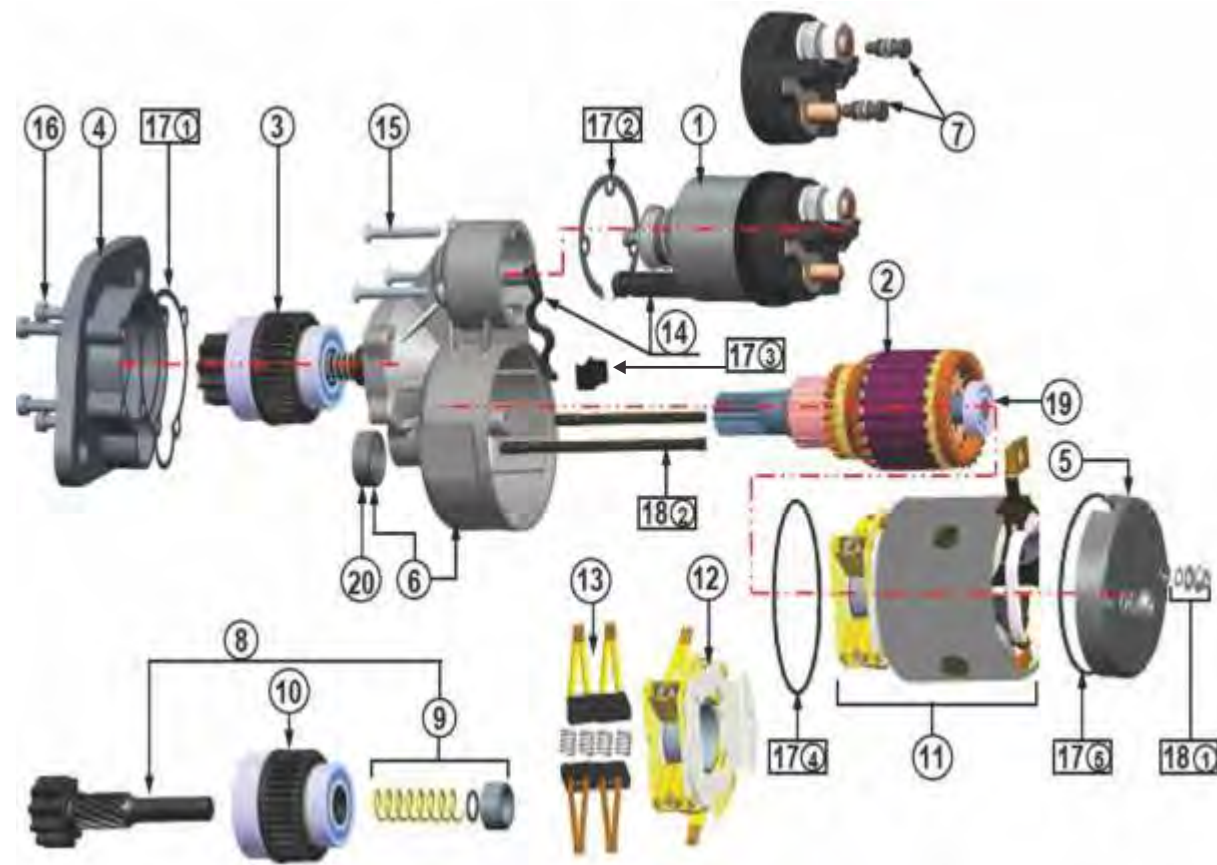
**REDUCTION GEAR TECHNOLOGY**

**Starter Motors & Alternators**



Visit **SPARK MINDA (MASL) App** for **Website : www.mindaasl.com**

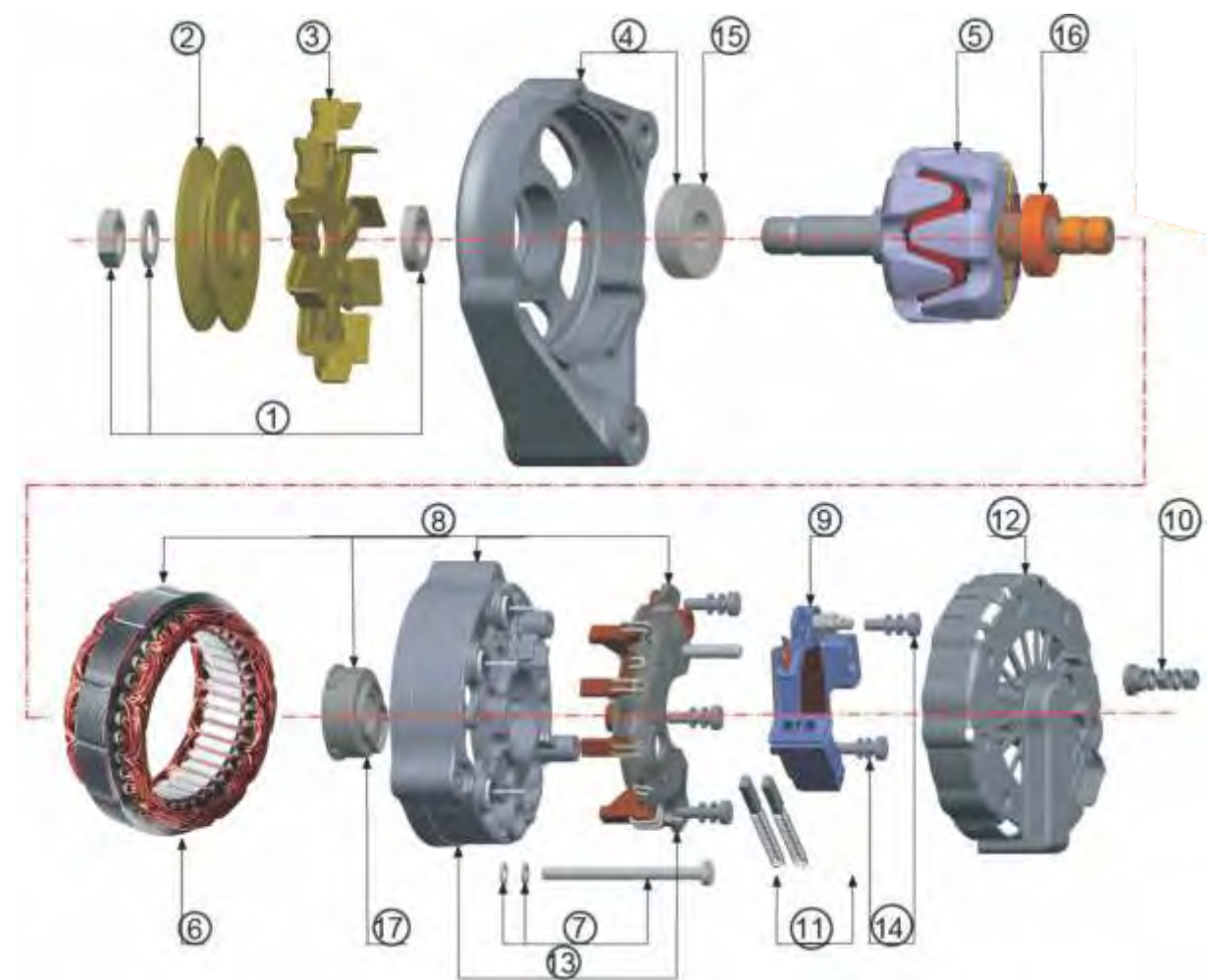
## STARTER MOTORS



S.NO.	PART DESCRIPTION & DETAILS
1	SOLENOID SWITCH
2	ARMATURE WITH BEARING
3	PINION DRIVE ASSEMBLY
4	FRONT BRACKET
5	REAR BRACKET
6	GEAR BRACKET ASSEMBLY (GEAR BRACKET, WITH NEEDLE ROLLER BEARING)
7	SOLENOID COVER ASSEMBLY TIGHTENING KIT (SO. COVER, CYL.HD.BOLT-M5, WASHER SPRING, WASHER PLAIN, O-RING)
8	PINION SHAFT WITH LOCK RING KIT (PINION SHAFT, LOCK SPRING, STOP RING & RESTORING SPRING)
9	STOP RING KIT (LOCK SPRING, STOP RING & RESTORING SPRING)
10	OVER RUNNING CLUTCH ASSEMBLY.

S.NO.	PART DESCRIPTION & DETAILS
11	BODY/STATOR ASSEMBLY (WITH CARBON BRUSHES,WELDED)
12	BRUSH HOLDER ASSEMBLY KIT (BRUSH HOLDER ASSEMBLY, CARBON BRUSHES (+VE & -VE)- 2 EACH & BRUSH SPRINGS-4PC.)
13	CARBON BRUSH ASSEMBLY (CARBON BRUSHES (+VE & -VE)-2 EACH & BRUSH SPRINGS-4PC.)
14	SHIFT LEVER ASSEMBLY KIT (SHIFT LEVER, BALL PIN & SHOOTING SPRING)
15	CSK BOLTS WITH TUFLOK (FOR SOLENOID TIGHTENING)- 3PC.
16	STEEL PARTS KIT (FOR FRONT BRACKET ASSEMBLY)
17	RUBBER SEALS & GASKET KIT (SEALING, O-RING, SEALING RING, SOL.GASKET & FRONT BKT.GASKET)
18	STEEL PARTS KIT FOR STARTER ASSEMBLY. (SET SCREWS-2PC., HEX.NUTS(M5)-2PC., WASHER SPRING LOCK(M5)-2PC.)
19	BALL BEARING (FOR ARMATURE)
20	NEEDLE ROLLER BEARING (FOR GEAR BRACKET)

## EXPLODED VIEW OF PARTS



S.NO.	PART DESCRIPTION & DETAILS
1	STEEL PART KIT (FOR PULLEY TIGHTENING)
2	PULLEY
3	FAN
4	FRONT BRACKET ASSEMBLY (WITH BEARING)
5	ROTOR ASSEMBLY
6	STATOR ASSEMBLY
7	STEEL PART KIT (FOR REAR BRACKET TIGHTENING)
8	REAR BRACKET ASSEMBLY (REAR BRACKET, WITH RECTIFIER ASSEMBLY & STATOR ASSEMBLED)
9	REGULATOR ASSEMBLY (WITH BRUSHES)

S.NO.	PART DESCRIPTION & DETAILS
10	STEEL PART KIT (FOR ALTERNATOR ASSEMBLY)
11	CARBON BRUSHES KIT (FOR REGULATOR ASSEMBLY) (CARBON BRUSHES & SPRINGS- 2 EACH)
12	COVER OF BACK BRACKET
13	REAR BRACKET & RECTIFIER ASSEMBLY (REAR BRACKET, WITH RECTIFIER ASSEMBLY, WITHOUT STATOR)
14	STEEL PART KIT (FOR REGULATOR TIGHTENING)
15	BALL BEARING (FRONT)
16	BALL BEARING (REAR)
17	BUSHING (FOR REAR BEARING)

## ALTERNATORS